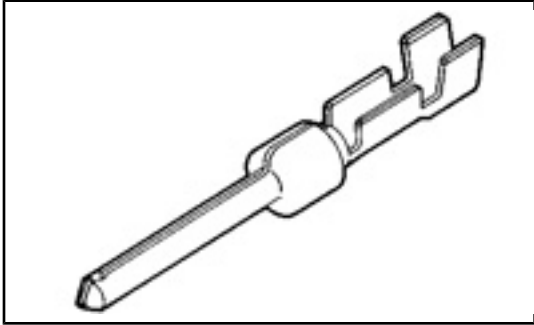


# 1658539-3 Product Details

---



**1658539-3**

TE Internal Number: 1658539-3



[Active](#)

## Standard Cable Connectors



[Always EU RoHS/ELV Compliant \(Statement of Compliance\)](#)

### Product Highlights:

- Contact
- Product Series = HDP-20 (Crimp Snap)
- Pin
- Wire Termination Type = Crimp
- Wire Insulation Diameter = 1.27 - 1.52 mm

[View all Features](#)

## Documentation & Additional Information

### Product Drawings:

- [PIN CONTACT, 20 DF](#), (PDF, English)

### Catalog Pages/Data Sheets:

- [Signal Contacts](#) (PDF, English)
- [CIRCULAR CONNECTORS FOR COMMERCIAL SIGNAL AND POWER ...](#) (PDF, English)
- [AMP Circular Connectors for Commercial Signal & Powe...](#) (PDF, English)
- [AMPLIMITE Subminiature D Connectors - Cable Connectors](#) (PDF, English)

### Product Specifications:

- [AMPLIMITE\\* HDP-20 Subminiature D Connector With F Cr...](#) (PDF, English)

### Application Specifications:

- [HD-20 Precision Formed Contacts](#) (PDF, English)
- [AMPLIMITE HDP-20 and Economy Crimp Snap Subminiature...](#) (PDF, English)

### Instruction Sheets:

- [AMPLIMITE High Density \(HDP-20\) Connectors with Crim...](#) (PDF, English)
- [PRO-CRIMPER II Hand Tool Assembly 58448-2 With Die A...](#) (PDF, English)
- [Insertion/Extraction Tool 91285-1 and Replacement Ti...](#) (PDF, English)

### CAD Files:

- None Available

[List all Documents](#)

### Additional Information:

- [Product Line Information](#)

### Related Products:

- [Tooling](#)

## Product Features (Please use the Product Drawing for all design activity)

### Product Type Features:

- [Product Type](#) = Contact
- [Product Series](#) = HDP-20 (Crimp Snap)
- [Pin/Socket](#) = Pin
- [Wire Termination Type](#) = Crimp
- [Wire Insulation Diameter \(mm \[in\]\)](#) = 1.27 – 1.52 [0.050 – 0.060]
- [Insulation Support](#) = Yes
- Grade = Standard

### Mechanical Attachment:

- Contact Retention in Housing = Crimp Snap-In

### Termination Related Features:

- [Solder Tail Contact Plating](#) = Tin over Nickel
- Pin Diameter (mm [in]) = 1.02 [0.040]

### Body Related Features:

- [Wire Range \(mm<sup>2</sup> \[AWG\]\)](#) = 0.2 - 0.6 [24-20]
- Used With = CPC Connectors, AMPLIMITE HDP-20

### Contact Related Features:

- [Contact Mating Area Plating Material](#) = Gold Flash over Palladium Nickel or Gold (30) over Nickel
- [Contact Size](#) = 20
- Contact Base Material = Brass

### Industry Standards:

- [RoHS/ELV Compliance](#) = RoHS compliant, ELV compliant
- [Lead Free Solder Processes](#) = Not relevant for lead free process
- RoHS/ELV Compliance History = Always was RoHS compliant

### Packaging Related Features:

- [Packaging Method](#) = Loose Piece

### Other:

- Brand = AMP